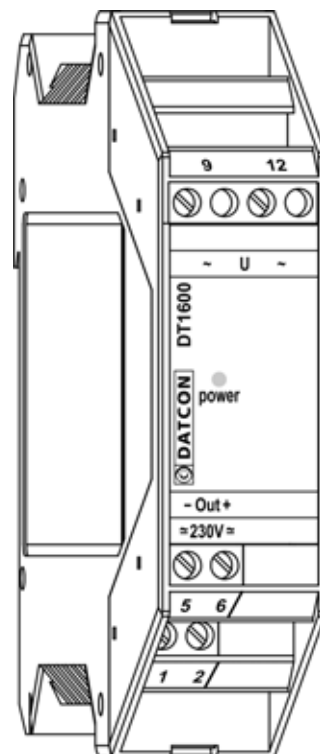


DT1600 Ux xx xx

AC Voltage Transmitters

Operating Instructions



Contents

1. About this document

1.1. Function	4
1.2. Target group.....	4
1.3. Symbolism used.....	4

2. For your safety

2.1. Authorized personnel	5
2.2. Appropriate use.....	5
2.3. Warning about misuse	5
2.4. General safety instructions.....	5
2.5. CE conformity.....	5
2.6. Environmental instructions	5

3. Product description

3.1. Delivery configuration.....	6
3.2. Type designation.....	6
3.3. Principle of operation	6
3.4. Adjustment	7
3.5. Indicator	7
3.6. Storage and transport	8

4. Mounting

4.1. General instructions	9
4.2. Main dimensions of the instrument	9
4.3. Mounting procedure	10

5. Connecting

5.1. Preparing the connection	11
5.2. Connecting to the power network.....	12
5.3. Connecting the signal processing unit and the power supply	13
5.4. Put the instrument under supply voltage.....	13

6. Fault rectification

6.1. Fault finding.....	14
6.2. Repairing.....	14

7. Dismounting

7.1. Dismounting procedure.....	15
7.2. Disposal.....	15

8. Calculation for application

8.1. Calculations.....	16
------------------------	----

9. Appendix

9.1. Technical specification.....	17
9.2. Application example.....	19

1. About this document

1.1. Function

This operating instructions manual has all the information you need for quick set-up and safe operation of DT1600 Ux xx xx.

Please read this manual before you start setup.

1.2. Target group

This operating instructions manual is directed to trained personnel. The contents of this manual should be made available to these personnel and put into practice by them

1.3. Symbolism used



Information, tip, note

This symbol indicates helpful additional information.



Caution, warning, danger

This symbol informs you of a dangerous situation that could occur. Ignoring this cautionary note can impair the person and/or the instrument.

List



The dot set in front indicates a list with no implied sequence.

Action



This arrow indicates a single action.

Sequence



Numbers set in front indicate successive steps in a procedure.

2. For your safety

2.1. Authorized personnel



All operations described in this operating instructions manual must be carried out only by trained and authorized specialist personnel. For safety and warranty reasons, any internal work on the instruments must be carried out only by DATCON personnel.

2.2. Appropriate use

The DT1600 Ux xx xx is an AC voltage transmitter. Detailed information on the application range is available in **Chapter 3. Product description.**

2.3. Warning about misuse



Inappropriate or incorrect use of the instrument can give rise to application-specific hazards, or damage to system components through incorrect mounting or adjustment.

2.4. General safety instructions



The DT1600 Ux xx xx is a high-tech instrument requiring the strict observance of standard regulations and guidelines. The user must take note of the safety instructions in this operating instructions manual, the country-specific installation standards as well as all prevailing safety regulations and accident prevention rules.

2.5. CE conformity

The DT1600 Ux xx xx is in conformity with the provisions of the following standard:

EN 61326:2004 (EMC)

EN 61010-1:2001 (safety)

2.6. Environmental instructions

Protection of the environment is one of our most important duties.

Please take note of the instructions written in the following chapters:

- Chapter **3.6. Storage and transport**
- Chapter **7.2. Disposal**

3. Product description

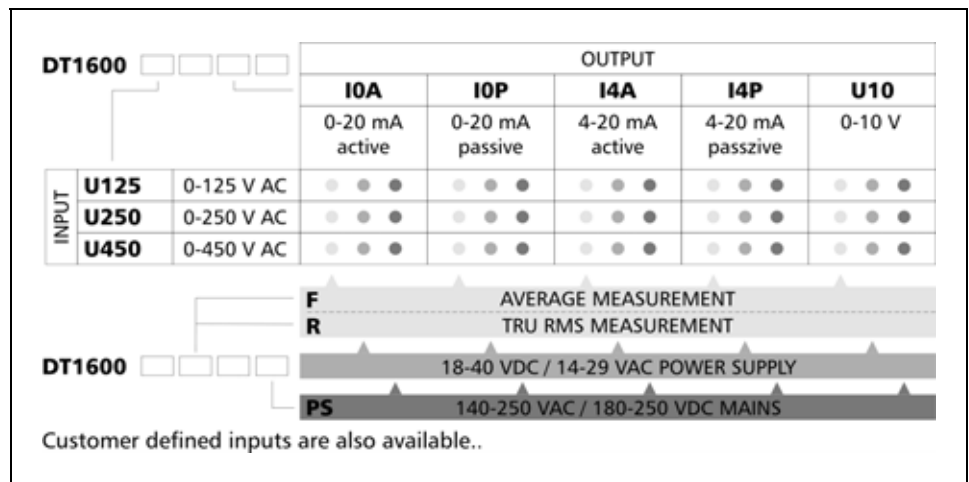
3.1. Delivery configuration

Delivered items

The scope of delivery encompasses:

- DT1600 Ux xx xx
- documentation:
 - this operating instructions manual
 - certification
 - warranty

3.2. Type designation



3.3. Principle of operation

Area of application

The DT1600 Ux xx xx AC Voltage Transmitters provide an output signal proportionally with the average value (F) or with the TRMS value (R) of the input AC voltage. The version marked with R is recommended to use for measure of non-sinusoidal signals. The output can be current (0-20 mA, 4-20 mA), active (A) or passive (P) or voltage (0-10 V). In all types the input, the output and power supply are galvanic isolated from each other.

Operating principle



The AC voltage connected to the input is transformed and isolated by the input transformer. The secondary voltage of the transformer is lead to the AC/DC converter. The DC voltage controls the output current or voltage according to the input AC current.

Power supply

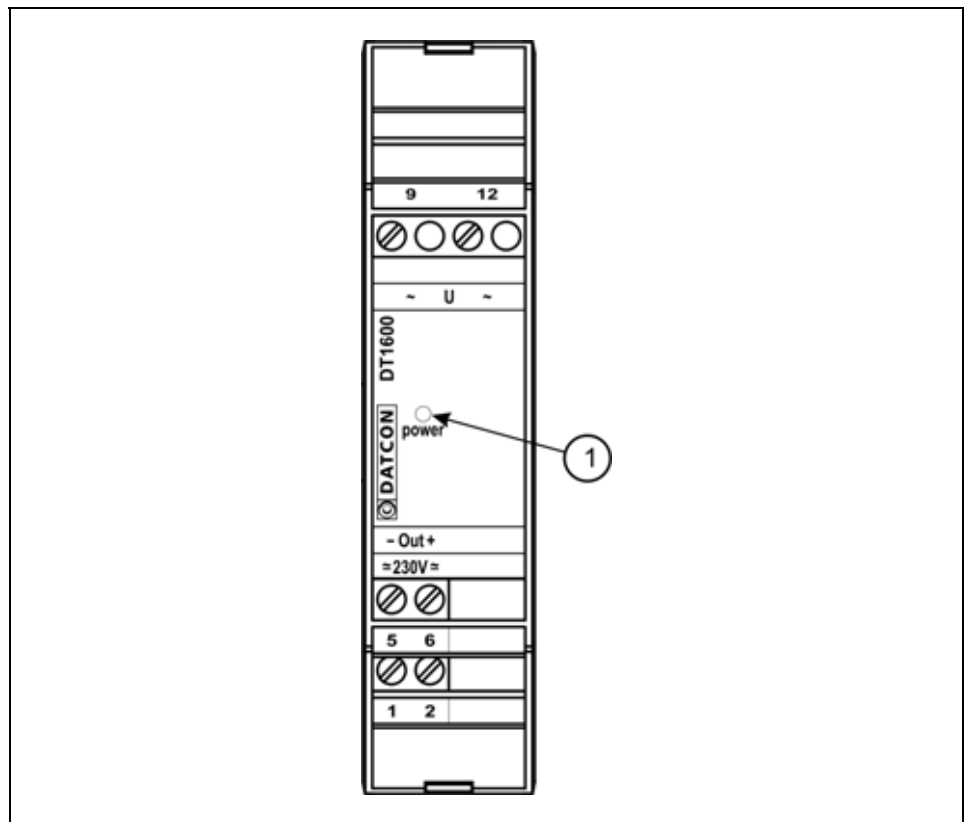
There are two power supply versions:
18-40 VDC / 14-29 VAC (DT1600 Ux xx xx) or
140-250 VAC / 180-250 VDC (DT1600 Ux xx xx PS).
The overcurrent protection in installation is 4 A (B).

3.4. Adjustment

The DT1600 Ux xx xx doesn't need any adjustment.
After connected to the power supply it is ready to work.

3.5. Indicator

The following figure shows the indicator on the
DT1600 Ux xx xx front panel.



1. The **power** green indicator shows that the instrument is in "power on" state.

3.6. Storage and transport

This instrument should be stored and transport in places whose climatic conditions are in accordance with chapter **9.1 Technical specifications**, as described under the title: Environmental conditions.



The packaging of DT1600 Ux xx xx consist of environment-friendly, recyclable cardboard is used to protect the instrument against the impacts of normal stresses occurring during transportation. The corrugated cardboard box is made from environment-friendly, recyclable paper. The inner protective material is nylon, which should be disposed of via specialized recycling companies.

4. Mounting

4.1. General instructions



The instrument should be installed in a cabinet with sufficient IP protection, where the operating conditions are in accordance with chapter **9.1 Technical specifications**, as described under the title: Operating conditions.

Mounting position

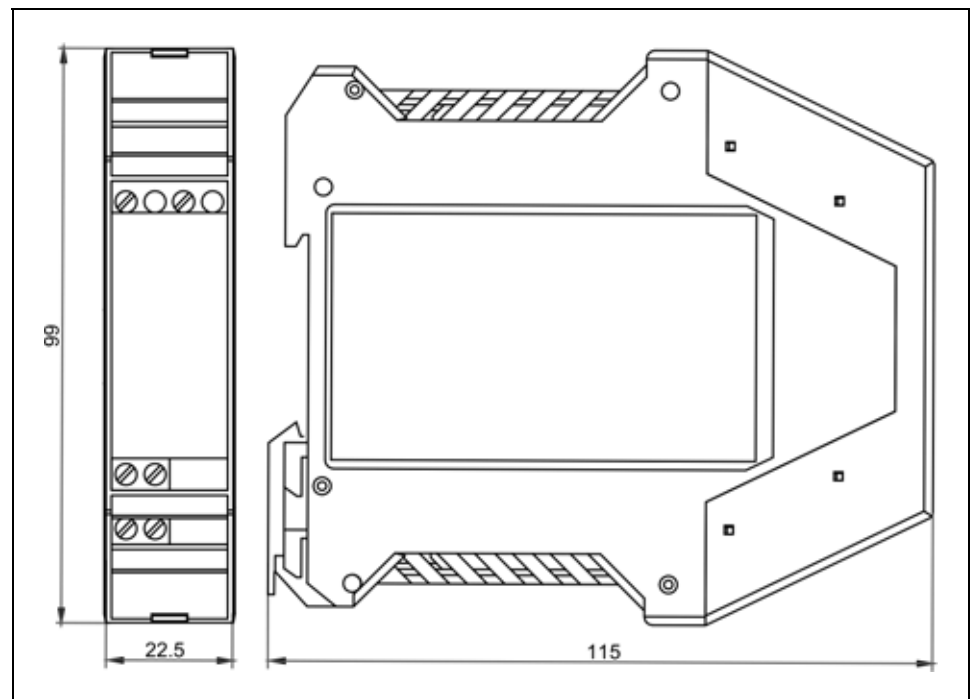


The DT1600 Ux xx xx is built in a plastic housing, for mounting on TS-35 rail.

The instrument should be mounted in vertical position (horizontal rail position).

Horizontal mounting may cause overheating and damage of the instrument.

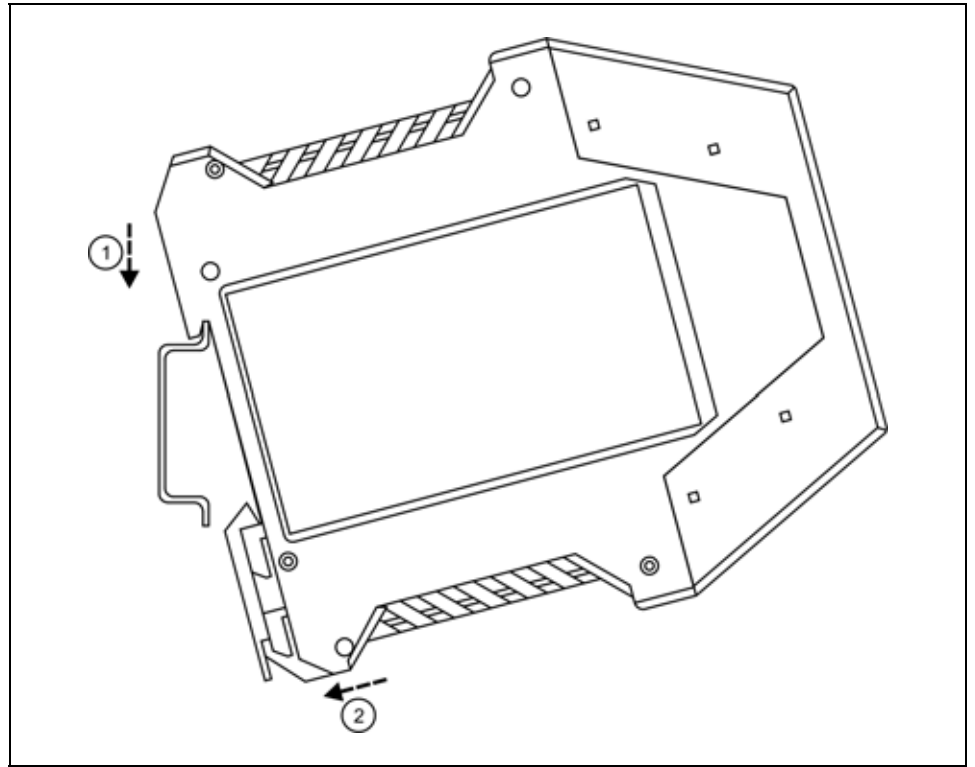
4.2. Main dimensions of the instrument



4.3. Mounting procedure

The following figure shows the mounting procedures (fixing on the rail):

Mounting on the rail



The mounting doesn't need any tools.

1. Tilt the instrument according to the figure; put the instrument's mounting hole onto the upper edge of the rail (figure step 1.).
2. Push the instrument's bottom onto the bottom edge of the rail (figure step 2.), you will hear the fixing assembly closing.
3. Check the hold of the fixing by moving the instrument firmly.

5. Connecting

5.1. Preparing the connection

Always observe the following safety instructions:

- Connect or disconnect only in the complete absence of line voltage
- If overvoltages are accepted, overvoltage arresters should be installed
- You should take note the data concerning on the overcurrent protection in installation.
- Use only a screwdriver with appropriate head



Select connection cable

Take note the suitability of the connecting cable (wire cross-section, insulation, etc.).

You may use either solid conductor or flexible conductor.

Preparing cables

Prepare the cable for the connection.

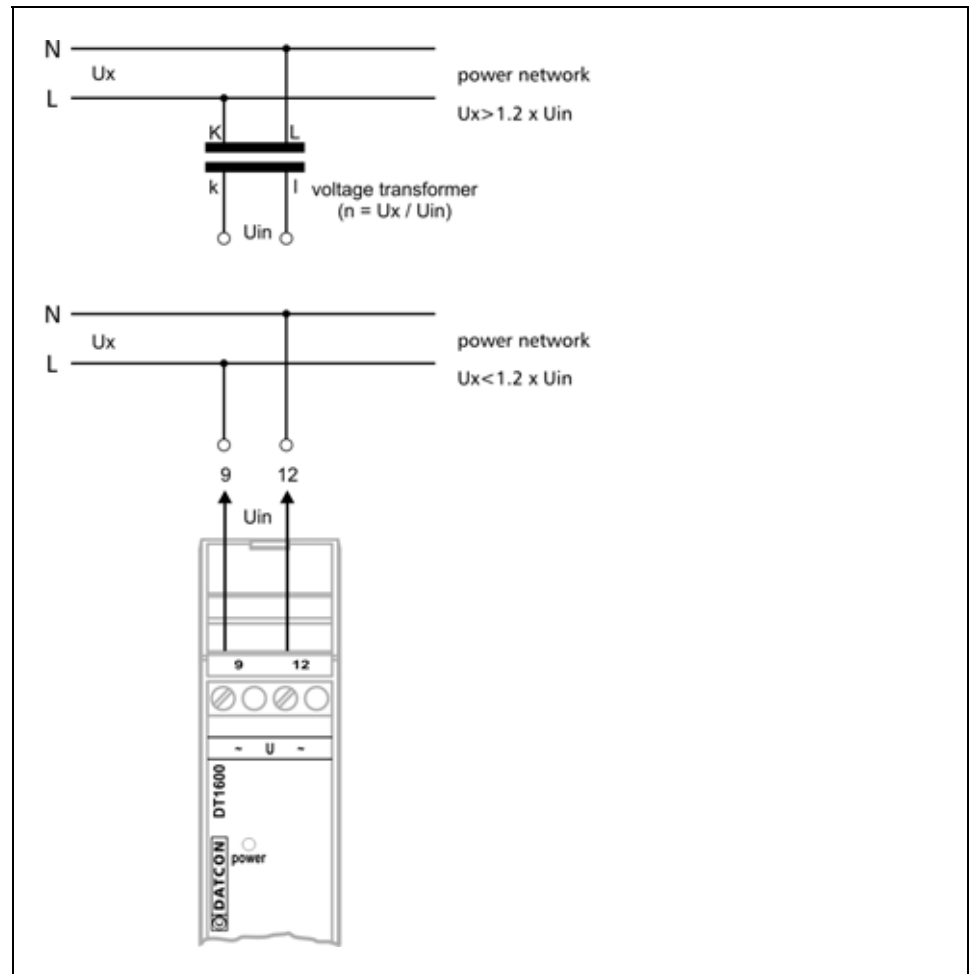
Strip approx. 8 mm insulation.

In case of using flexible conductor use crimped wire end.

5.2. Connecting to the power network

The following figure shows the wiring plan, connecting the transmitter:

Wiring plan, connecting to the power network
(see also “Application example”)



1. Loosen terminal screws.
2. Insert the wire ends into the open terminals according to the wiring plan.
3. Screw the terminal in.
4. Check the hold of the wires in terminals by pulling on them firmly.

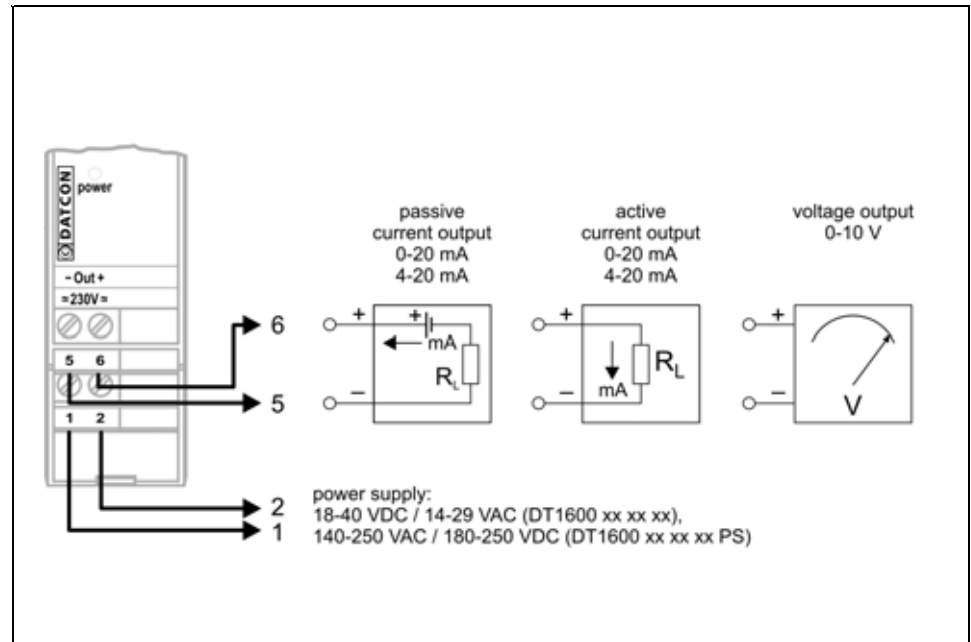
5.3. Connecting the signal processing unit and the power supply

The following figure shows the wiring plan, connecting the signal processing unit and the power supply:

Wiring plan, connecting the signal processing unit and the power supply

(see also “Application example”)

Be careful the polarity of the cables



1. Loosen terminal screws.
2. Insert the wire ends into the open terminals according to the wiring plan.
3. Screw the terminal in.
4. Check the hold of the wires in terminals by pulling on them firmly.

Checking the connections

Check if the cables are connected properly (have you connected all the cables, have you connected to the right place, do not the cable-ends touch each other).

Put the instrument under supply voltage

5.4. Put the instrument under supply voltage

After you have completed the connections, put the instrument under supply voltage. If the connection is correct the green indicator give light and you can measure output current or voltage on the output of the instrument according to the measured value of the transmitter.

6. Fault rectification

6.1. Fault finding

The fault finding must be carried out by trained and authorized personnel only.



- The green indicator is dark → check the mains voltage. If the mains voltage is OK: the instrument is defective.
- There is no output signal → check the input signal. If the input signal is OK: the instrument is defective.

When the result of fault finding is that the instrument is defective call the manufacturer service department.

6.2. Repairing



There is no user repairable part inside the instrument. In accordance with Point 2.1.: **For safety and warranty reasons, any internal work on the instrument must be carried out only by DATCON personnel.**

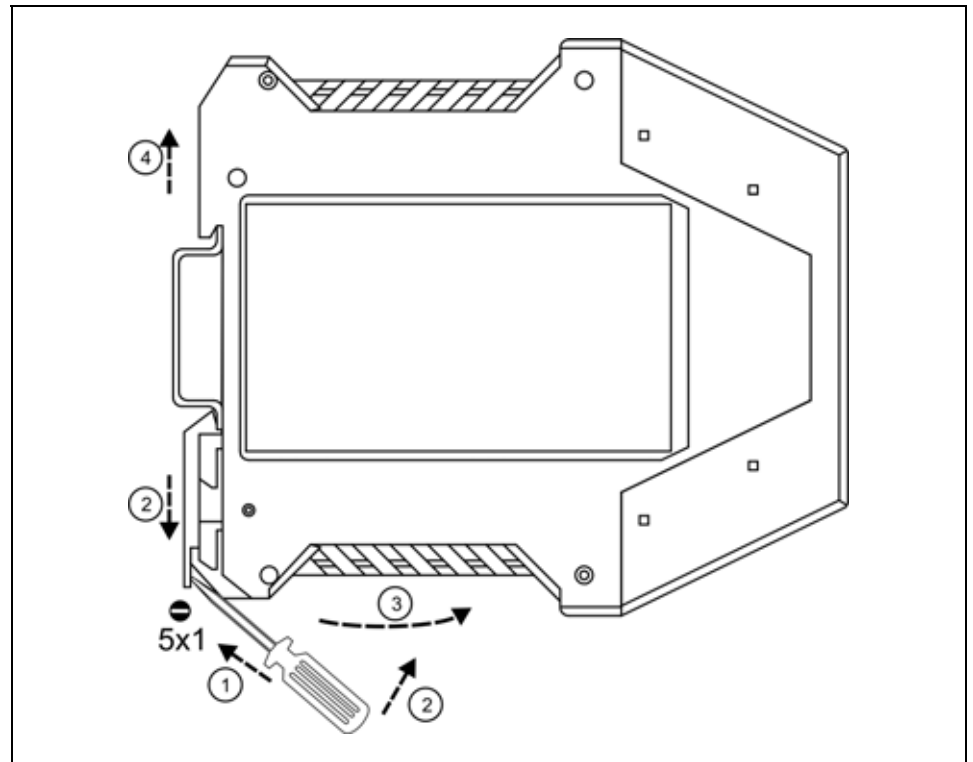
7. Dismounting

7.1. Dismounting procedure

Before dismounting take note the warnings written in Chapter 5.1.

The following figure shows the dismounting procedures:

Dismounting from the rail



The dismounting procedure needs a screwdriver for slotted screws.

Before dismounting disconnect all wires.

1. Put the screwdriver end into the fixing assembly's hole (figure step 1.).
 2. Lift the screwdriver handle until it possible to open the fixing assembly (figure step 2.).
 3. Keeping the screwdriver in this position lift the instrument bottom from the bottom edge of the rail (figure step 3.).
- Lift the whole instrument (you may put out the screwdriver) (figure step 4), the instrument will be free.

7.2. Disposal

According with the concerning EU directive, the manufacturer undertakes the disposal of the instrument that are manufactured by it and intended to be destroyed.

Please deliver it in contamination-free condition to the site of the Manufacturer or to a specialized recycling company.

8. Calculation for application

8.1. Calculations

Calculating the input voltage from the transmitter output signal.

U_x [V]: voltage to be measured

n: voltage transformer ratio
(in case of direct connection $n = 1$)

U_{IN} [V]: transmitter input voltage

I_{OUT} [mA], U_{OUT} [V]: transmitter output signal



In case of I0, U10 outputs:

$$U_x = n * U_{IN} * I_{OUT} / 20 \quad U_x = n * U_{IN} * U_{OUT} / 10$$

1st example:

$$I_{IN} = 250 \text{ V} \quad I_{OUT} = 18 \text{ mA} \quad n = 10$$

$$I_x = 10 * 250 * 18 / 20 = 2250 \text{ V}$$

In case of I4 output:

$$U_x = n * U_{IN} * (I_{OUT} - 4) / 16$$

2nd example:

$$I_{IN} = 250 \text{ V} \quad I_{OUT} = 12 \text{ mA} \quad n = 10$$

$$I_x = 10 * 250 * (12-4) / 16 = 1250 \text{ V}$$

9. Appendix

9.1. Technical specification

Safety data:

The connection terminals of the inputs, the outputs and the supply voltages are galvanic isolated from each other. The isolation is in compliance with the standard EN 61010-1, taking into consideration the following:

Pollution level:	2
Measurement category:	III
Overcurrent protection in installation:	4 A

Input parameters:

Input voltage:	see Chapter 3.2.
Continuous overdrive capability:	2 x U, 500 V (max.)
Input consumption:	0.5 VA (max.)
Frequency range:	40-400 Hz

Output parameters:

Output voltage:	<table border="1"> <thead> <tr> <th>Type</th> <th>Range [V]</th> <th>Rg [Ohm]</th> </tr> </thead> <tbody> <tr> <td>U5</td> <td>0-5</td> <td>250</td> </tr> <tr> <td>U10</td> <td>0-10</td> <td>500</td> </tr> </tbody> </table>	Type	Range [V]	Rg [Ohm]	U5	0-5	250	U10	0-10	500
Type	Range [V]	Rg [Ohm]								
U5	0-5	250								
U10	0-10	500								
Output current:	see Chapter 3.2.									
Burden:	500 Ohm (max.)									
Overvoltage protection:	18 V (limiter)									
Overcurrent protection:	40 mA (limiter)									
Noise voltage:	0.2% p-p (max., FSR)									
Settling time (1%):	200 ms (typical)									
Output signal error:	0.2% (max.)									
Temperature coefficient:	50 ppm / °C (typical)									
Frequency-response:	0.5% (max., 40-400 Hz)									
Supply-voltage effect:	practically zero									
Loading-effect:	practically zero									
Rectifying characteristic:	TRMS value (R) or average value (F)									
Additional error measuring non-sinusoidal signal:	0.5% (max., R version, $F_{crest} < 3$)									

Power supply:

Supply voltage:	DT1600 Ux xx xx: 18-40 VDC / 14-29 VAC DT1600 Ux xx xx PS: 140-250 VAC / 180-250 VDC
Consumption:	DT1600 Ux xx xx: 1 W / 1.5 VA DT1600 Ux xx xx PS: 1.5 VA / 1 W

Ambient conditions:

Operating temperature range:	0-50 °C (-20 - +50 °C, on request)
Storage temperature range:	-20 - +70 °C
Relative humidity:	90% (max. non condensing)
Place of installation:	cabinet

Electromagnetic compatibility (EMC):

Accordance with the standard EN 61326-1:2004	
Immunity:	-A- criterion
Noise emission:	-A- class

General data:

Housing:	TS-35 rail mounting housing material: polyamide PA6.6
Connection:	screw-terminal
Connecting cable:	2.5 mm ² (max.)
Dimensions:	22.5 x 99 x 115 mm (width x height x depth)
Weight:	0.2 kg
Protection:	IP 20

The Manufacturer maintains the right to change technical data.

9.2. Application example

